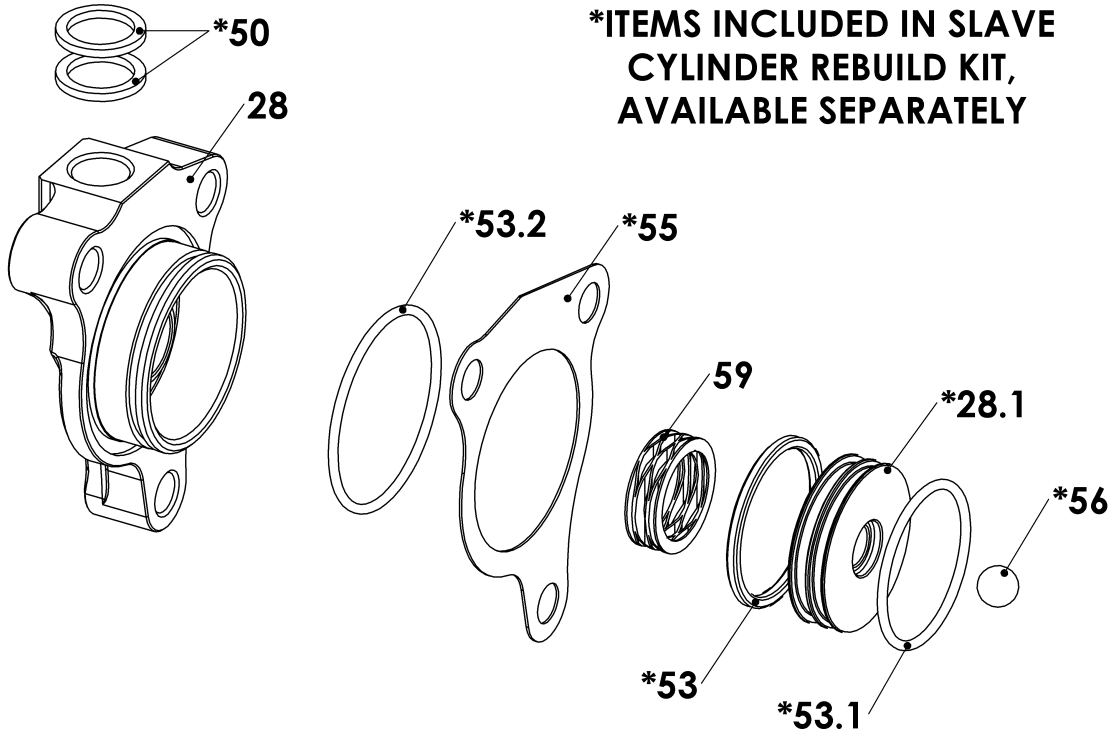


RMS-2400011A - SLAVE CYLINDER ASSEMBLY



Item	Part Number	Item Description	Qty
100	747-011A	SLAVE CYLINDER ASSEMBLY - Non-Adjustable - Housing-400,	1
28.1	180-314A	SLAVE CYLINDER PISTON - DIV 1.5 WS	1
28	180-400A	SLAVE CYLINDER HOUSING - Brembo Single-Port 10mm (non	1
50	414-230	HARDWARE - Crush Washers: 10mm	2
53	418-805	HARDWARE - 021 Brown Viton X Ring	1
53.2	418-915A	HARDWARE - BUNA O-ring, size 30mmID x 1.5mmW, Black	1
53.1	418-917A	HARDWARE - 1.5x24mm Viton O-ring, 75Dur	1
Not Show	419-104	HARDWARE - 15 in L X 1/4OD. X .17ID. Clear Vinyl Tube	1
55	420-301A	GASKET - Slave Cylinder - Mag,Form - fits 180-100,-112,-119	1
56	431-307	BALL BEARING - 3/16in Chrome Steel Ball	1
59	441-075A	WAVE SPRING - Slave Cylinder Return	1