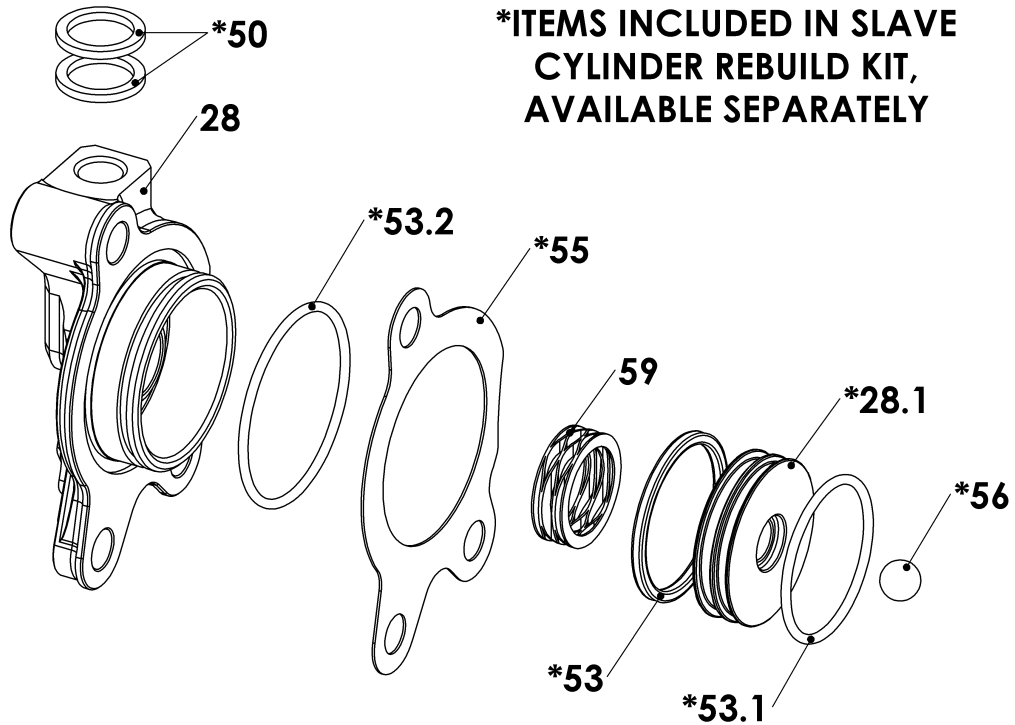


RMS-2400017A - SLAVE CYLINDER ASSEMBLY



| Item | Part Number | Item Description | Qty |
|----------|-------------|---|-----|
| 100 | 747-017A | SLAVE CYLINDER ASSEMBLY - Non-Adjustable - Housing-422, | 1 |
| 28.1 | 180-313A | SLAVE CYLINDER PISTON - DIV 1.5 WS | 1 |
| 28 | 180-422A | SLAVE CYLINDER HOUSING - KT350 Slave Cylinder Housing (| 1 |
| 50 | 414-238 | HARDWARE - 2 x 8mm Crush Washers | 2 |
| 53 | 418-804 | HARDWARE - 021 EPDM X Ring Black | 1 |
| 53.2 | 418-915A | HARDWARE - BUNA O-ring, size 30mmID x 1.5mmW, Black | 1 |
| 53.1 | 418-917A | HARDWARE - 1.5x24mm Viton O-ring, 75Dur | 1 |
| Not Show | 419-104 | HARDWARE - 15 in L X 1/4OD. X .17ID. Clear Vinyl Tube | 1 |
| 55 | 420-303A | GASKET - Slave Cylinder - Brembo - fits 180-122 | 1 |
| 56 | 431-304 | BALL BEARING - 1/4in Chrome Steel Ball | 1 |
| 59 | 441-075A | WAVE SPRING - Slave Cylinder Return | 1 |