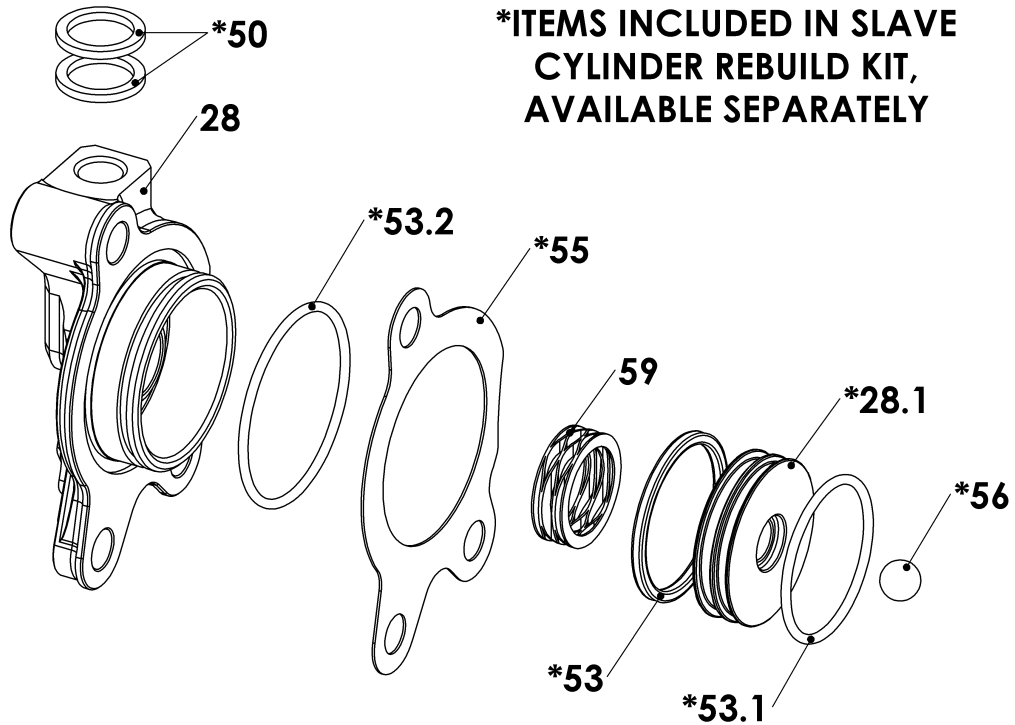


# RMS-2400026A - SLAVE CYLINDER ASSEMBLY



Item	Part Number	Item Description	Qty
100	747-026A	SLAVE CYLINDER ASSEMBLY - Non-Adjustable - Housing-422,	1
28.1	180-330A	SLAVE CYLINDER PISTON - DIV 1.5 WS	1
28	180-422A	SLAVE CYLINDER HOUSING - KT350 Slave Cylinder Housing (	1
50	414-238	HARDWARE - 2 x 8mm Crush Washers	2
53	418-804	HARDWARE - 021 EPDM X Ring Black	1
53.2	418-915A	HARDWARE - BUNA O-ring, size 30mmID x 1.5mmW, Black	1
53.1	418-917A	HARDWARE - 1.5x24mm Viton O-ring, 75Dur	1
Not Show	419-104	HARDWARE - 15 in L X 1/4OD. X .17ID. Clear Vinyl Tube	1
55	420-303A	GASKET - Slave Cylinder - Brembo - fits 180-122	1
56	431-304	BALL BEARING - 1/4in Chrome Steel Ball	1
59	441-075A	WAVE SPRING - Slave Cylinder Return	1