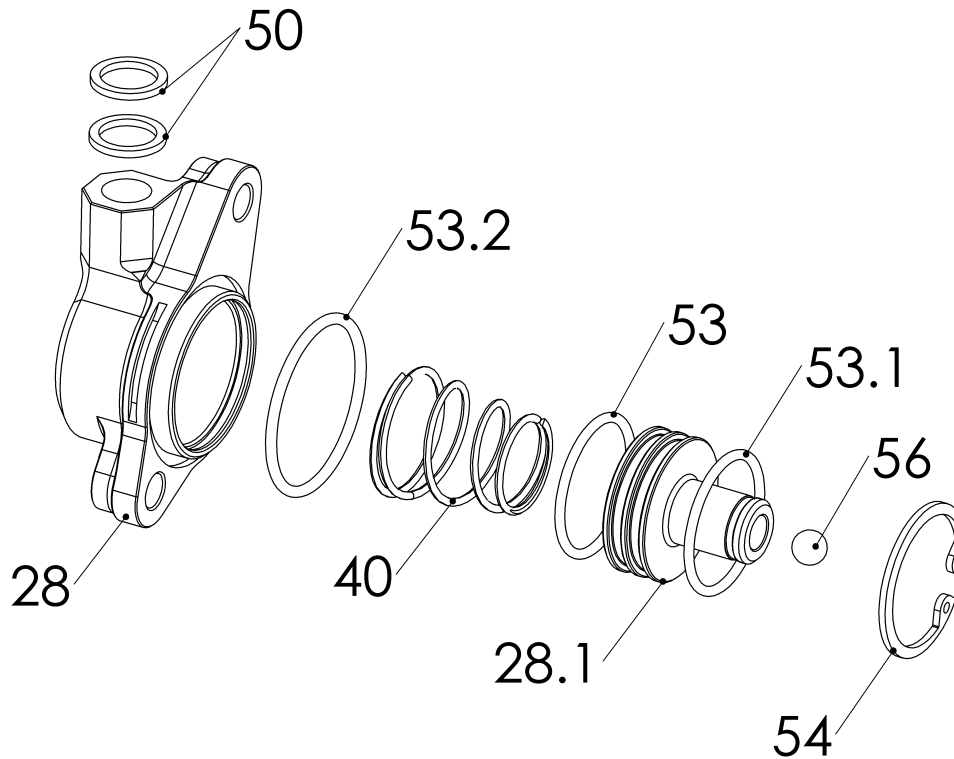


# RMS-2413023A - SLAVE CYLINDER ASSEMBLY



Item	Part Number	Item Description	Qty
100	747-023A	SLAVE CYLINDER ASSEMBLY - Non-Adjustable - KTM 1050,10	1
28.1	180-128A	SLAVE CYLINDER PISTON - KTM 1050,1190,1290 LC8	1
28	180-427A	SLAVE CYLINDER HOUSING - Slave Cylinder Housing - KTM L	1
50	414-230	HARDWARE - Crush Washers: 10mm	2
53.1	418-912A	HARDWARE - Viton O-ring, size-021, Brown	1
53	418-913A	HARDWARE - EPDM O-ring, size-021, Black	1
53.2	418-916A	HARDWARE - BUNA O-ring, size 30mmID x 2.0mmW, Black	1
54	419-024A	HARDWARE - Internal Snap Ring - 1.0625in	1
56	431-304	BALL BEARING - 1/4in Chrome Steel Ball	1
40	440-002	SPRING - LC8 Slave Cylinder Tapered Coil Spring	1
Not Shown	790-001	HARDWARE - Brake Kit 60cc syringe and tube assembly	1