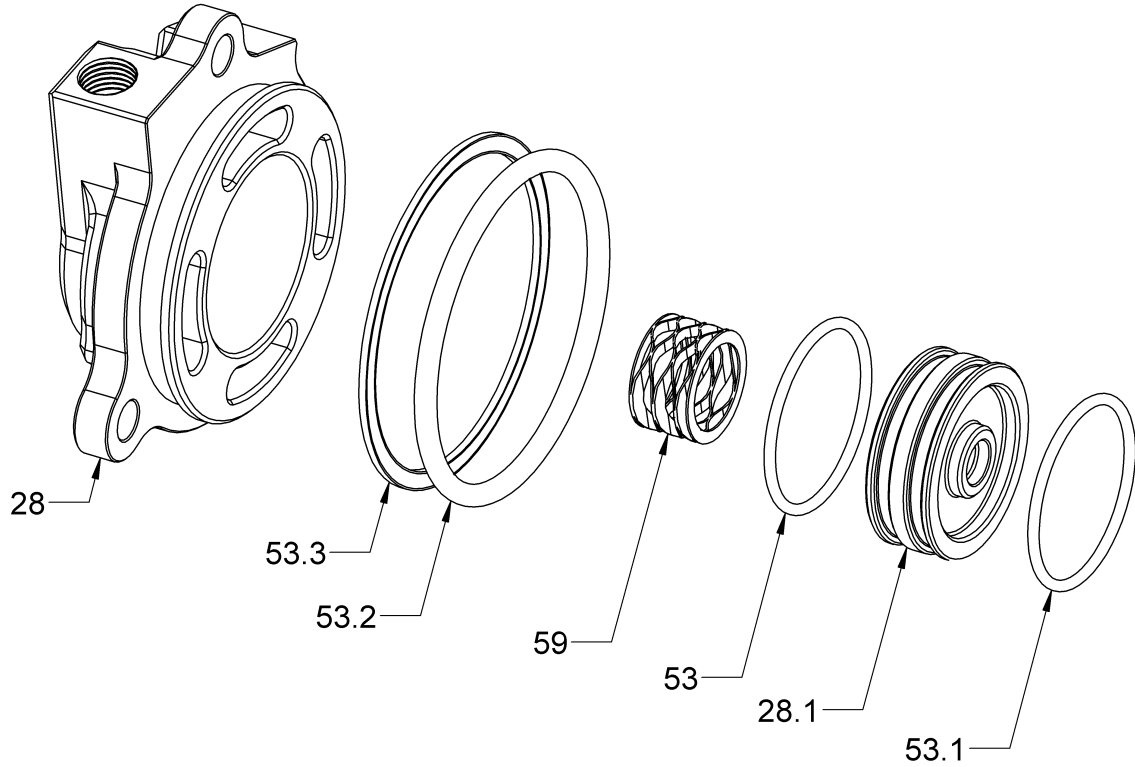


# RMS-2415050A - SLAVE CYLINDER ASSEMBLY (HD)



Item	Part Number	Item Description	Qty
100	747-050A	SLAVE CYLINDER ASSEMBLY - Non-Adjustable - Harley David	1
28.1	180-350A	SLAVE CYLINDER PISTON - Harley Davidson	1
28	180-450A	SLAVE CYLINDER HOUSING - Harley Davidson Non-ASC	1
53	418-927A	HARDWARE - EPDM O-Ring, size-024, Black, for 32mm Bore	1
53.2	418-928A	HARDWARE - Buna-N O-Ring, size-226, Black, for 2.035 inch	1
53.3	418-929A	HARDWARE - Buna-N Backup Ring for size-226 O-Ring	1
53.1	418-930A	HARDWARE - Viton O-Ring, size-024, Brown, for 32mm Bore	1
Not Show	419-104	HARDWARE - 15 in L X 1/4OD. X .17ID. Clear Vinyl Tube	1
59	441-050A	WAVE SPRING - Slave Cylinder Return - Harley Davidson	1
Not Shown	821-013A	Prop. 65 Warning Label	1