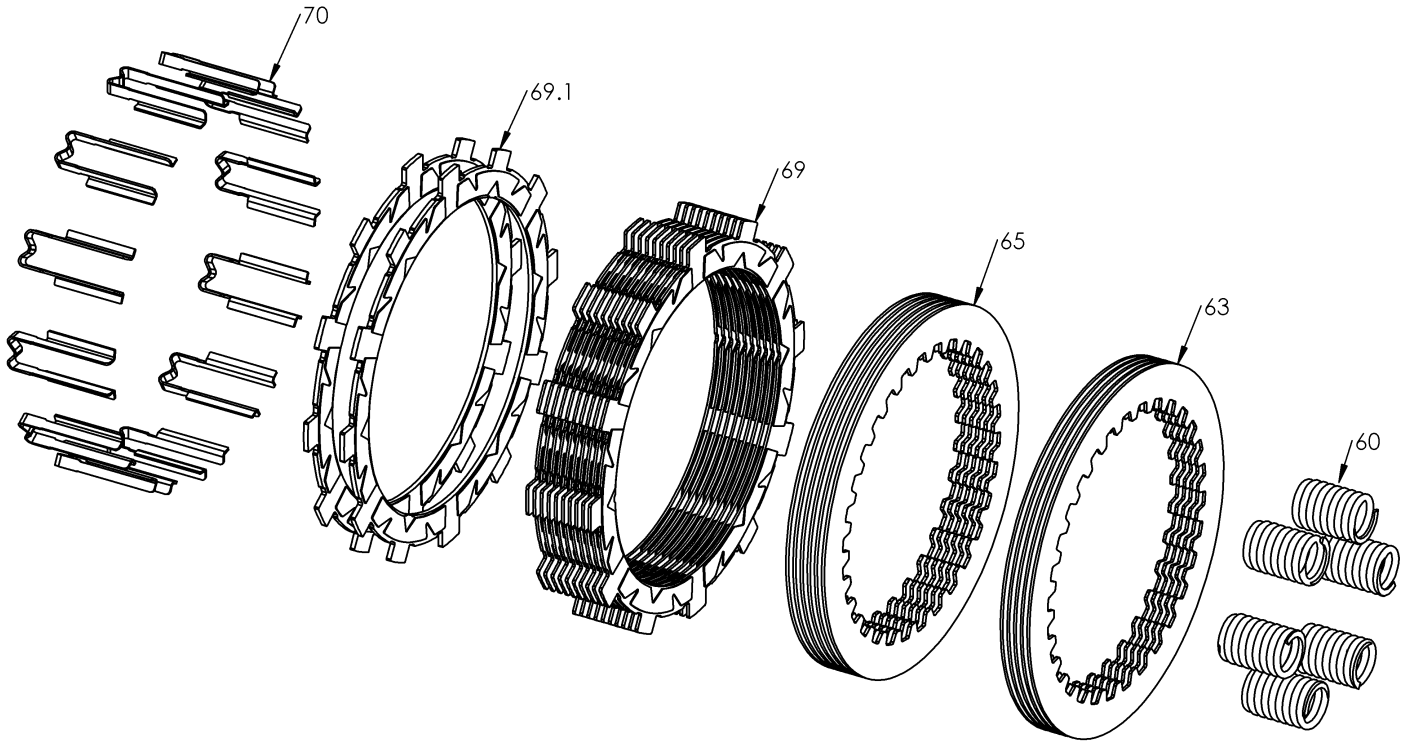


RMS-2807090A - TORQDRIVE CLUTCH PACK



Item	Part Number	Item Description	Qty
60	442-124A	PRESSURE PLATE SPRING - Yamaha YELLOW STRIPE	6
63	460-625A	DRIVE PLATE - 0.040 - Yamaha YZ450F OEM	5
65	462-625A	DRIVE PLATE - 0.048 Yamaha YZ450F OEM	6
69	469-317B	FRICITION DISK - YZ250 - Thick .100in 2.54mm	2
69.1	469-502A	FRICITION DISK - Y450 Thin Friction Disk	10
70	471-317A	BASKET SLEEVE - H1.65 - W.14	12
Not Shown	821-013A	Prop. 65 Warning Label	1