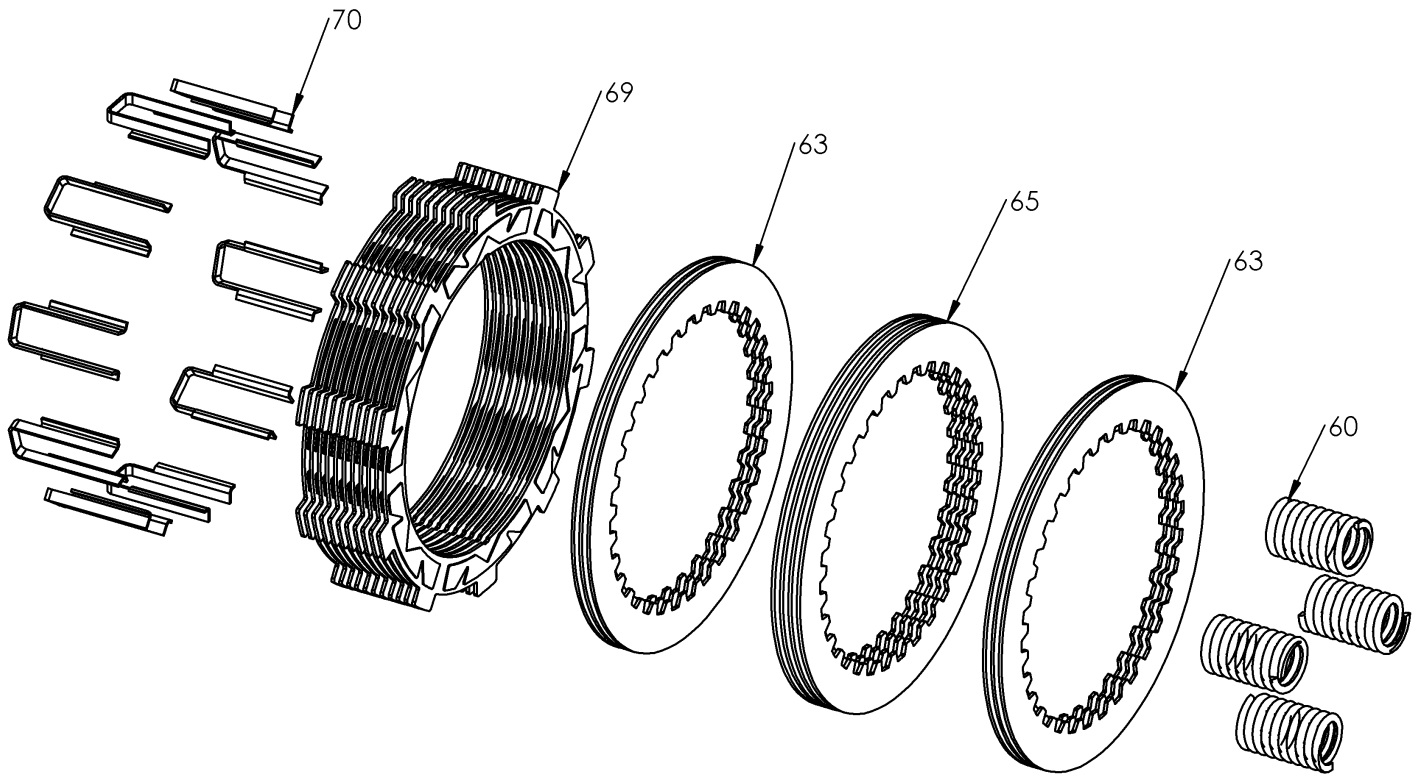


# RMS-2807100A - TORQDRIVE CLUTCH PACK



Item	Part Number	Item Description	Qty
60	442-108	PRESSURE PLATE SPRING - EXP - Suzuki - RMZ250/450 - Oliv	4
63	460-670A	DRIVE PLATE - 0.040 - Yamaha R3	6
65	462-670A	DRIVE PLATE - 0.048 - Yamaha R3	4
69	469-312A	FRICTION DISK - HD 500-750 Thin Friction	11
70	471-304B	BASKET SLEEVE - KTM 690 - 1.450in Tall	10