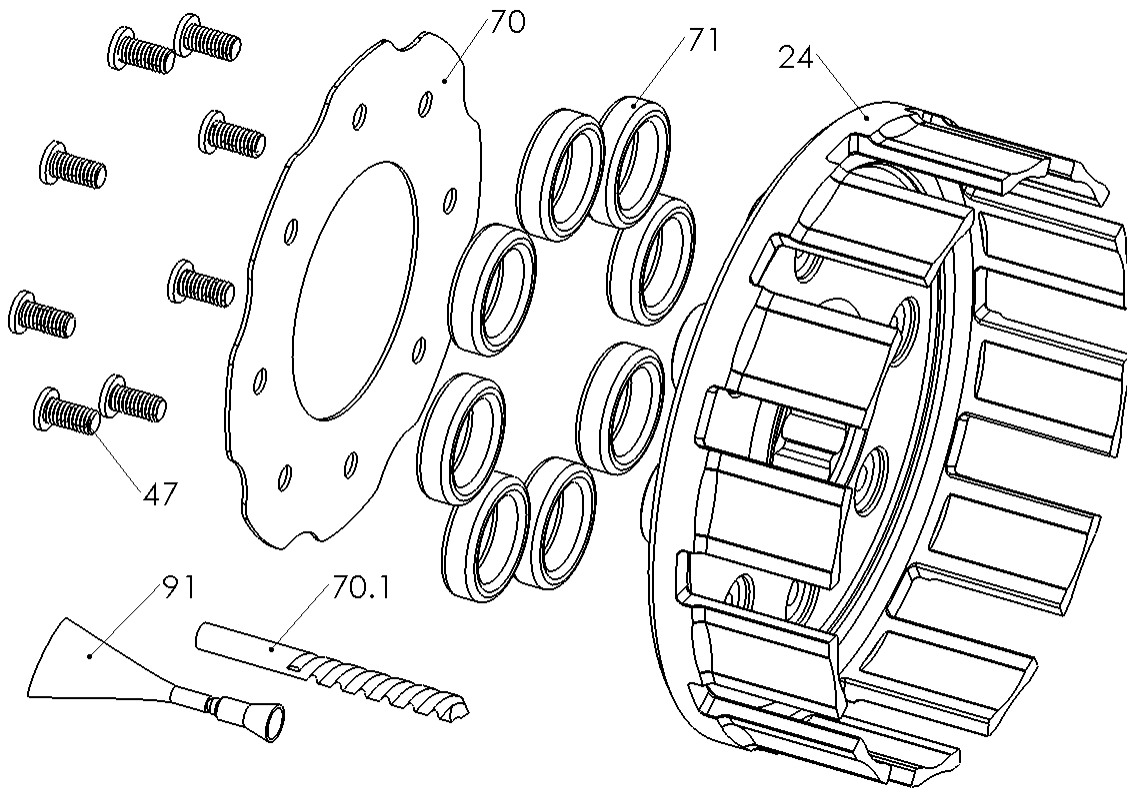


# RMS-4130A

CLUTCH BASKET - HUSABERG FE390/450/570 (09-11); KTM 400/450/530 EXC/XC-W (08-10), 450/505 SX-F/XC-F (07-11)



Item	Part Number	Item Description	Qty
	195-4130A	CUSTOMER DOCUMENT - Basket Manual - One-Piece Ring Gear Models	1
24	170-030B	CLUTCH BASKET - KTM 450	1
47	411-113A	FASTENER - M6 x 12 Special Low Head Soc Cap 10.9	8
70	471-002D	RETAINING PLATE - CRF450	1
70.1	471-114	DRILL - 1/4" SM Drill	1
71	474-100	BASKET CUSHIONS - 30mm Molded Basket Damper - H450	8
91	491-002	ADHESIVE - Loctite 262 (.02 fl oz) Red	1