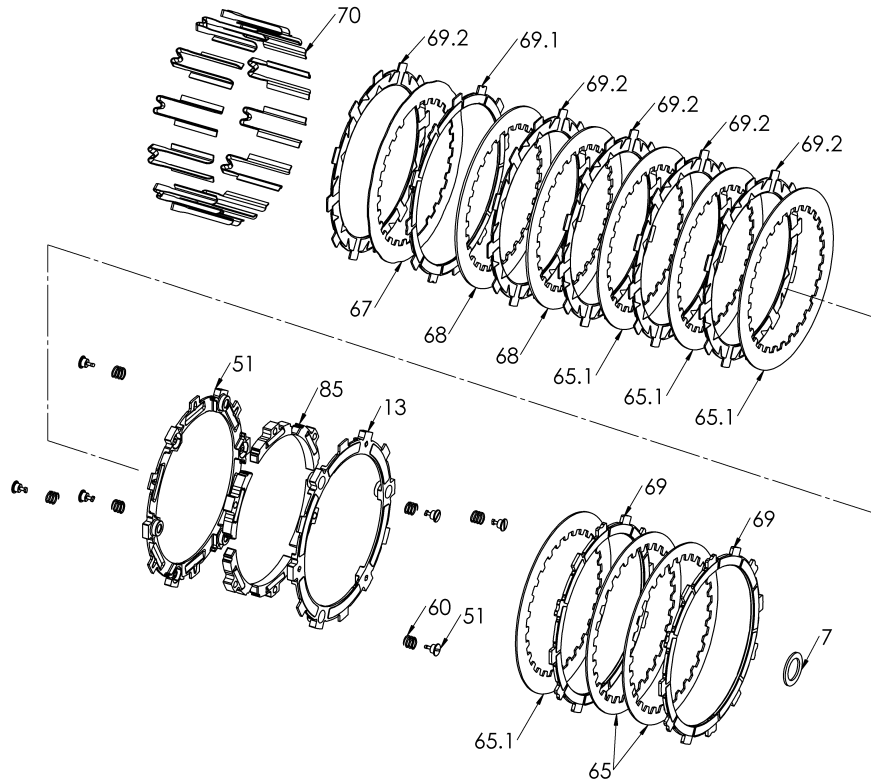
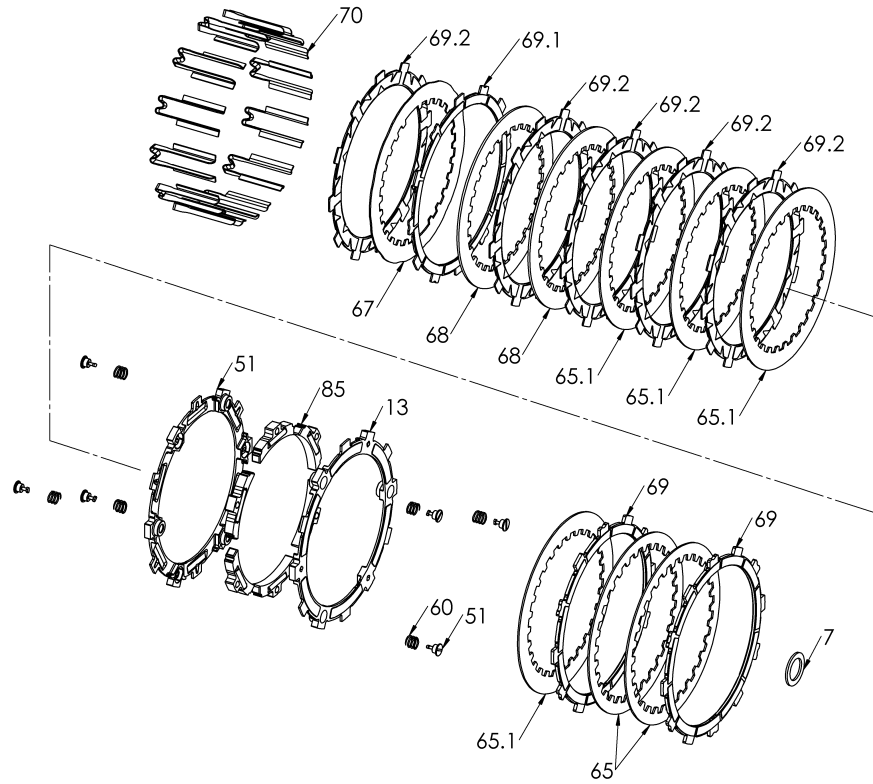


# RMS-6301112B - RADIUSX CLUTCH



Item	Part Number	Item Description	Qty
7	115-022A	THROW-OUT SPACER - CRF1000L	1
13	140-250B	EXP RP BASE - H450 TD	2
51	415-000	FASTENER - Quarter Turn Pin	6
Not Shown	415-000	FASTENER - Quarter Turn Pin	2
Not Shown	419-120	HARDWARE - 1 Orange Free Play Gain Rubber Band	1
Not Shown	442-003	EXP ADJUSTMENT SPRING EXP - Blue	3
60	442-004	EXP ADJUSTMENT SPRING EXP - Gold	6
Not Shown	442-005B	EXP ADJUSTMENT SPRING EXP - Green	3
60.1	442-121A	PRESSURE PLATE SPRING - Africa Twin A&S - .790OD, .115W	3
67	460-102A	DRIVE PLATE - 1050 0.040 - OEM H450	1
65	462-629A	DRIVE PLATE - .048 - CRF1000A 16+ (Africa Twin)	2
65.1	462-636A	DRIVE PLATE - 0.048 Honda CRF450 OEM	4
68	466-736A	DRIVE PLATE - .065 Honda CRF450 OEM	2
69	469-318A	FRICITION - Judder Friction H450	2
69.1	469-320A	FRICITION DISK - Thin Judder Friction .078 - H450	1

# RMS-630112B - RADIUSX CLUTCH



Item	Part Number	Item Description	Qty
69.2	469-331A	FRICITION DISK - H450 TORQ-DRIVE - 2-Segment Pads	5
70	471-308C	BASKET SLEEVE - MV,AT	12
85	741-040A	Wedge - 450 RP - Heavy - Steel Ball	6
Not Shown	821-010B	WARNING LABEL - Clutch Lever Decal	1