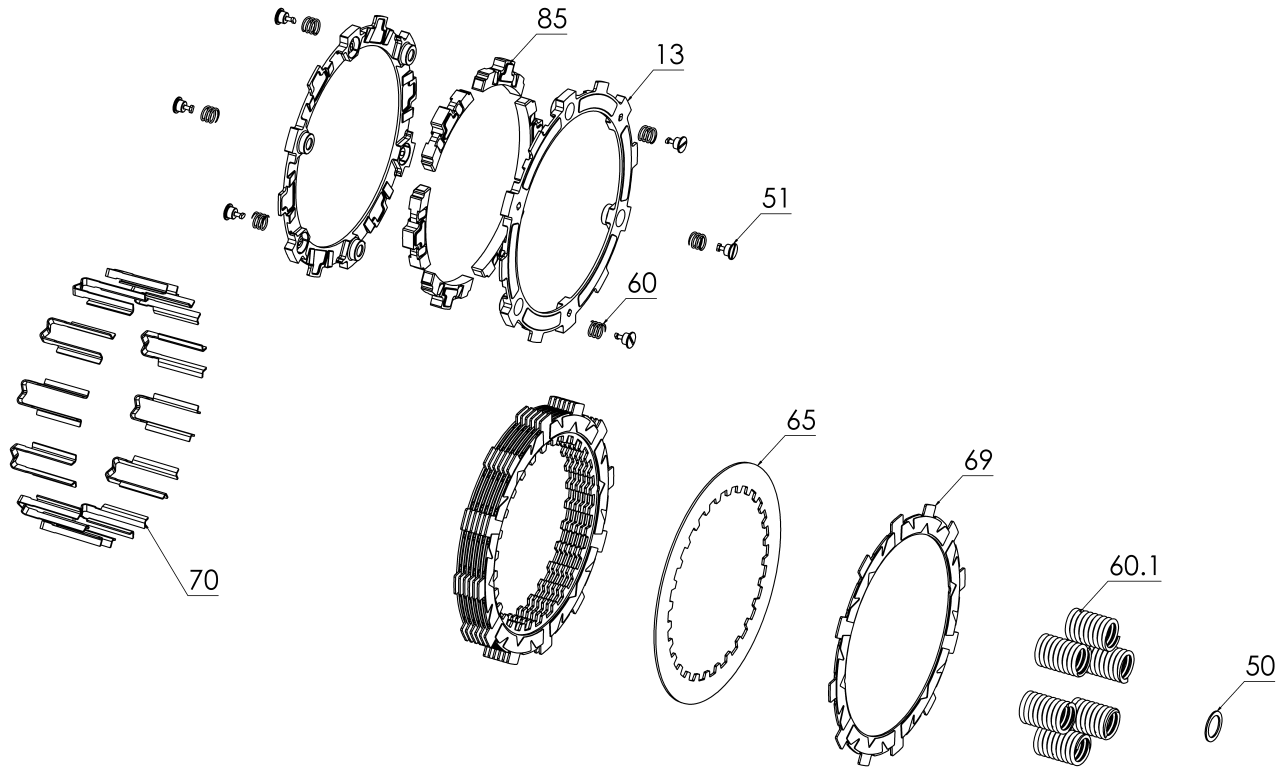
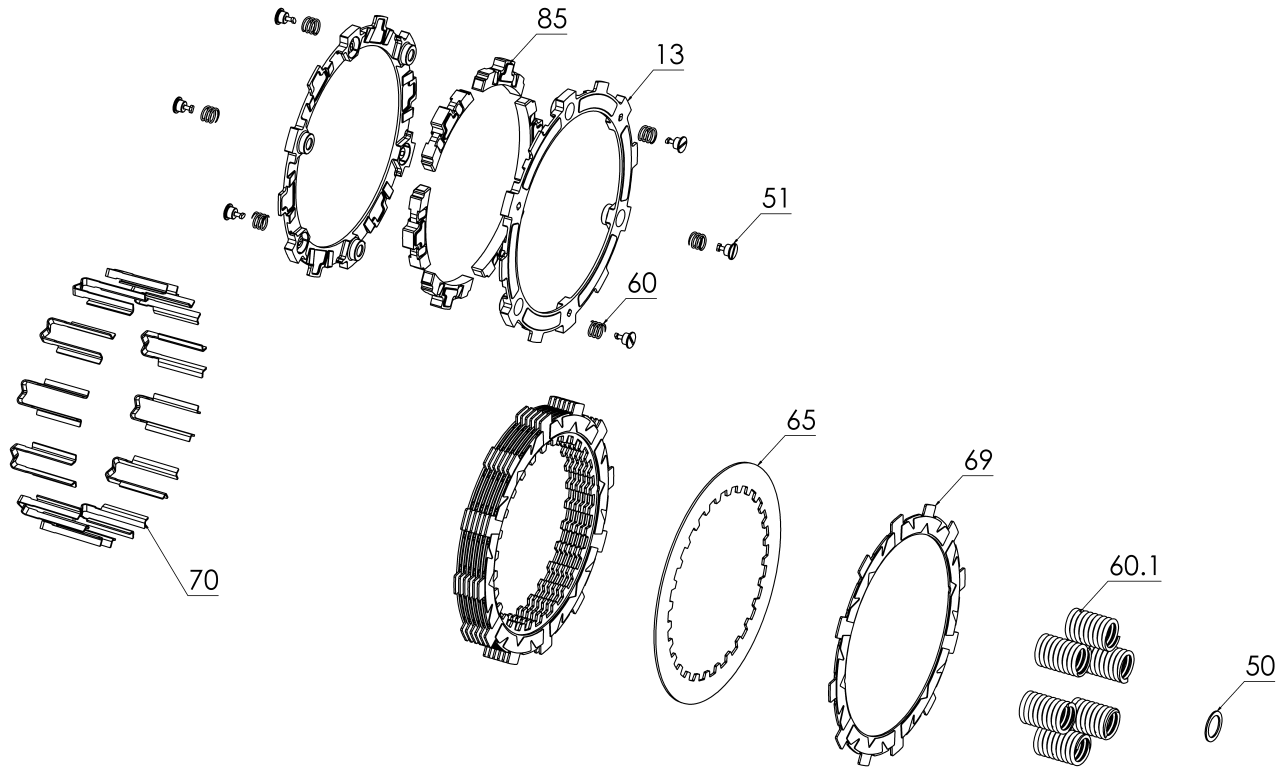


# RMS-6301119A - RADIUSX CLUTCH



| Item      | Part Number | Item Description  | Qty |
|-----------|-------------|---|-----|
| 13        | 140-220C    | EXP 3.0 BASE - H450 TD                                      | 2   |
| Not Shown | 411-182A    | FASTENER - 18-8 Stainless Steel Hex-Head Screw - M6 Size, 3 | 1   |
| 50        | 414-148A    | HARDWARE - 1/2 x .030in Flat Throwout Washer                | 1   |
| Not Shown | 415-000     | FASTENER - Quarter Turn Pin                                 | 2   |
| 51        | 415-000     | FASTENER - Quarter Turn Pin                                 | 6   |
| Not Shown | 419-120     | HARDWARE - 1 Orange Free Play Gain Rubber Band              | 1   |
| Not Shown | 420-809B    | GASKET - Honda CRF450R .125 in Clutch Cover Gasket (17)     | 1   |
| Not Shown | 442-001     | EXP ADJUSTMENT SPRING EXP - Silver                          | 3   |
| 60        | 442-002     | EXP ADJUSTMENT SPRING EXP - Red                             | 6   |
| Not Shown | 442-003     | EXP ADJUSTMENT SPRING EXP - Blue                            | 3   |
| 60.1      | 442-101     | PRESSURE PLATE SPRING - 450 Class Bikes Medium Red (incl    | 3   |
| 60.2      | 442-104     | PRESSURE PLATE SPRING - 250 Class Bikes Heavy Gold          | 3   |
| 63        | 460-102A    | DRIVE PLATE - 1050 0.040 - OEM H450                         | 1   |
| 65        | 462-638A    | DRIVE PLATE - 0.048 17 Honda CRF450 OEM                     | 6   |
| 69        | 469-320A    | FRICITION DISK - Thin Judder Friction .078 - H450           | 1   |

# RMS-6301119A - RADIUSX CLUTCH



| Item      | Part Number | Item Description                                  | Qty |
|-----------|-------------|---|-----|
| 69.1      | 469-531A    | FRICITION DISK - H450 TORQ-DRIVE - 2-Segment Pads | 6   |
| 70        | 471-309A    | BASKET SLEEVE - H1.55 - W.10 - 4S                 | 12  |
| 85        | 741-012B    | EXP 3.0 WEDGE ASSEMBLY - H450 - Medium            | 6   |
| Not Shown | 821-013A    | Prop. 65 Warning Label                            | 1   |