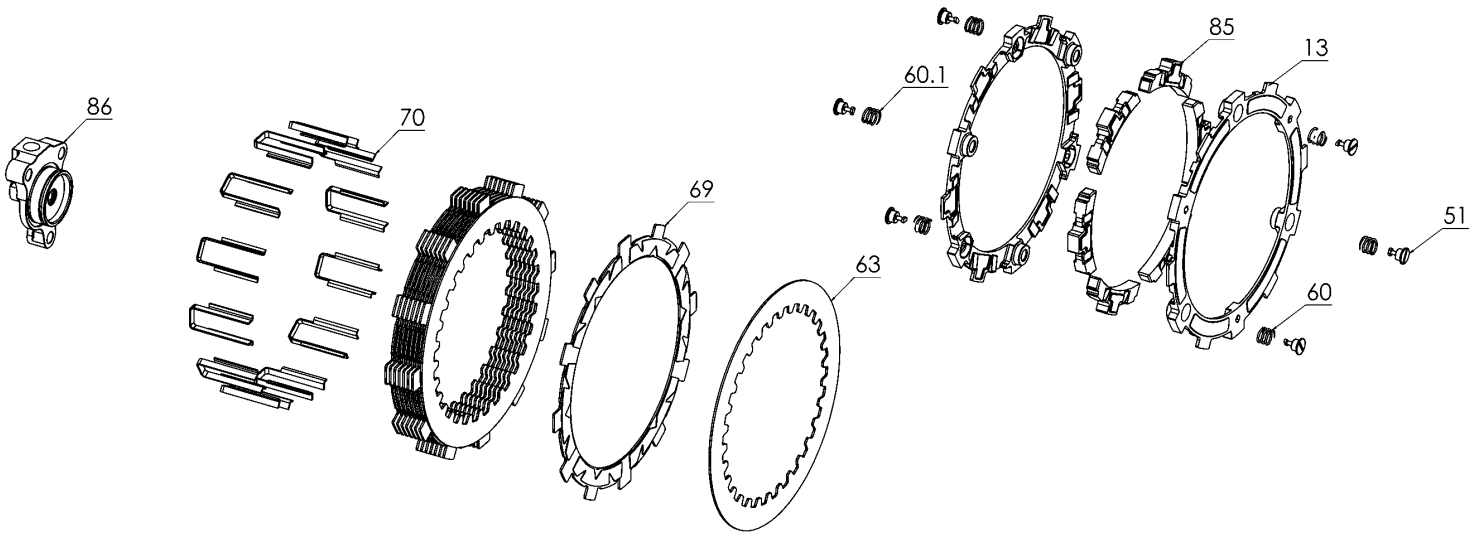


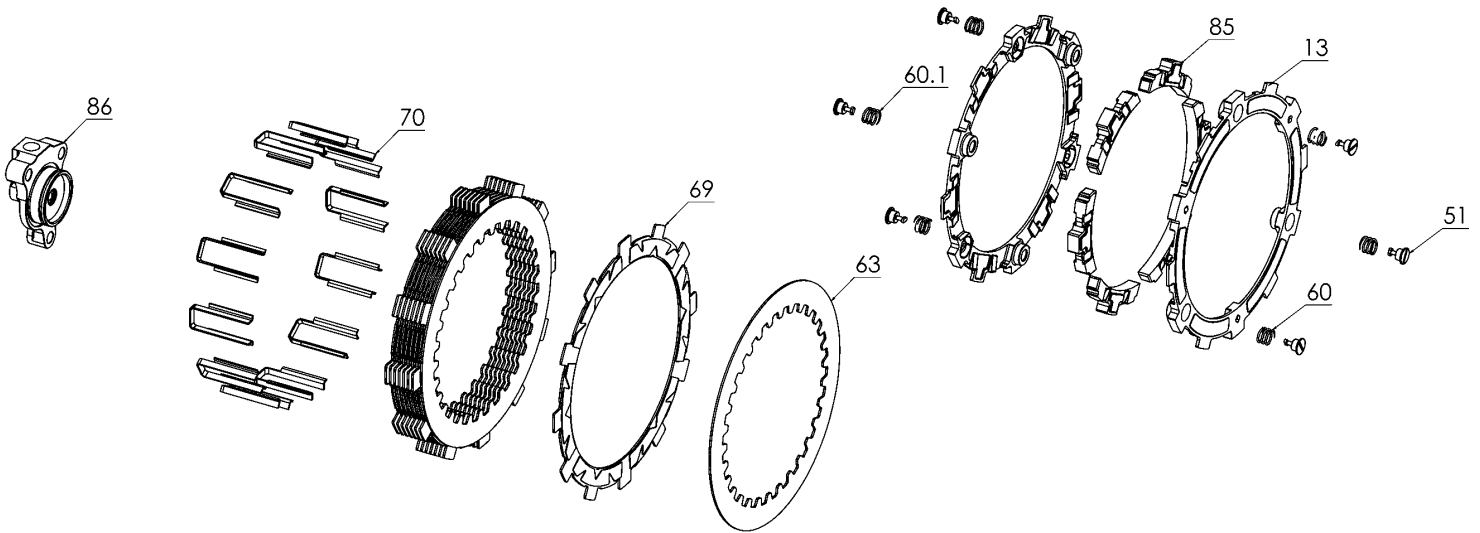
RMS-6302023C - Radius X Clutch



**SLAVE CYLINDER ASSEMBLY FICHE CAN BE VIEWED SEPARATELY.
REBUILD KIT ALSO AVAILABLE SEPERATELY FROM REKLUSE.*

Item	Part Number	Item Description	Qty
13	140-221B	EXP 3.0 BASE - Y450 TD	2
51	415-000	FASTENER - Quarter Turn Pin	6
Not Shown	415-000	FASTENER - Quarter Turn Pin	2
Not Shown	419-120	HARDWARE - 1 Orange Free Play Gain Rubber Band	1
Not Shown	419-122A	HARDWARE - Banjo Bleeder Bolt - 10MM	1
Not Shown	420-980A	GASKET - Beta 4 Stroke .125 in EXP w/ Torqdrive	1
Not Shown	442-002	EXP ADJUSTMENT SPRING EXP - Medium (Red)	3
60	442-002	EXP ADJUSTMENT SPRING EXP - Medium (Red)	3
Not Shown	442-003	EXP ADJUSTMENT SPRING EXP - Heavy (Blue)	3
60.1	442-003	EXP ADJUSTMENT SPRING EXP - Heavy (Blue)	3
63	460-625A	DRIVE PLATE - 0.040 - Yamaha YZ450F OEM	8
69	469-232A	FRICTION DISK - Y450 TORQ-DRIVE - 2-Segment Pads	8
70	471-304A	BASKET SLEEVE - KTM 690	12
85	741-012B	EXP 3.0 WEDGE ASSEMBLY - H450 - Medium	6
86	742-027D	ADJUSTABLE SLAVE CYLINDER ASSEMBLY - Housing-100, Pis	1

RMS-6302023C - Radius X Clutch



**SLAVE CYLINDER ASSEMBLY FICHE CAN BE VIEWED SEPARATELY.
REBUILD KIT ALSO AVAILABLE SEPERATELY FROM REKLUSE.*

Item	Part Number	Item Description	Qty
28	180-100A	SLAVE CYLINDER HOUSING-KT250-KT300 2 Stroke Adjustabl	1
28.1	180-107	SLAVE CYLINDER ADJUSTER - Screw, M6x7mm	1
28.2	180-213A	SLAVE CYLINDER PISTON - DIV 1.5	1
50	414-230	HARDWARE - Crush Washers: 10mm	2
53	418-804	HARDWARE - 021 EPDM X Ring Black	1
53.1	418-907	HARDWARE - 011 EPDM O-ring	2
53.2	418-915A	HARDWARE - BUNA O-ring, size 30mmID x 1.5mmW, Black	1
53.3	418-917A	HARDWARE - 1.5x24mm Viton O-ring, 75Dur	1
Not Shown	419-104	HARDWARE - 15 in L X 1/4OD. X .17ID. Clear Vinyl Tube	1
55	420-301A	GASKET - Slave Cylinder - Mag,Form - fits 180-100,-112,-119,	1
56	431-304	BALL BEARING - 1/4in Chrome Steel Ball	1