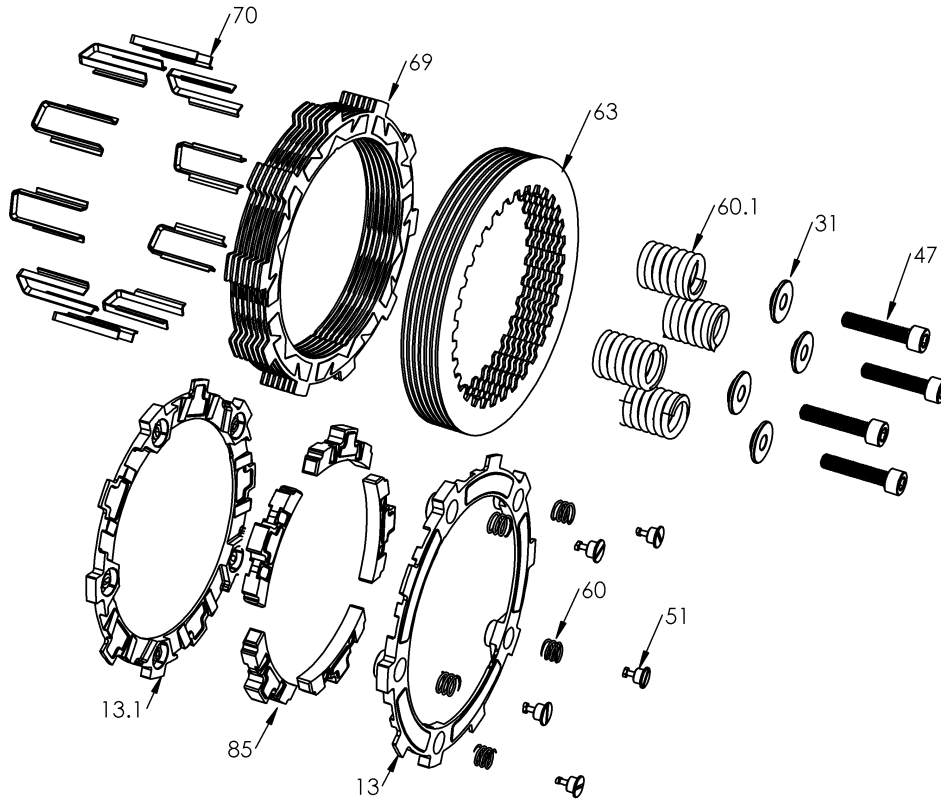
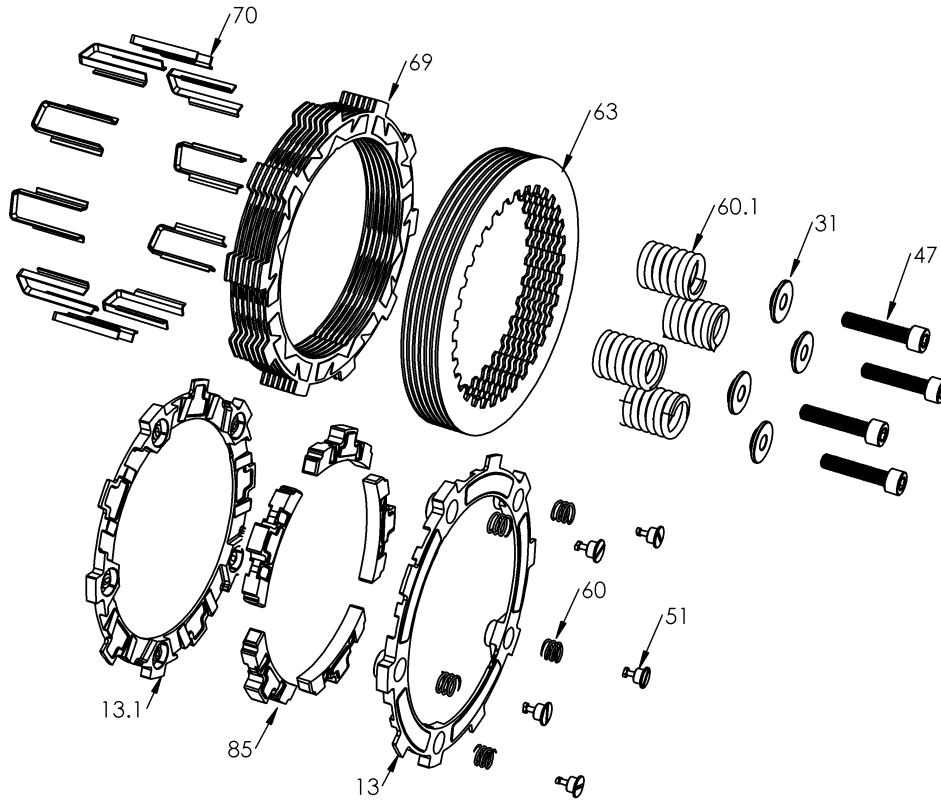


RMS-6307100A - RADIUSX CLUTCH (STREET)



Item	Part Number	Item Description	Qty
13	140-234B	EXP 3.0 BASE - 10 Tab TF - Male	1
13.1	140-235B	EXP 3.0 BASE - 10 Tab TF-Female	1
31	184-108A	HARDWARE -MT CSS Screw Sleeve	4
47	411-164A	FASTENER - M6-1 x 30 Socket Head Cap Screw	4
Not Shown	415-000	FASTENER - Quarter Turn Pin	2
51	415-000	FASTENER - Quarter Turn Pin	5
Not Shown	419-120	HARDWARE - 1 Orange Free Play Gain Rubber Band	1
Not Shown	442-001	EXP ADJUSTMENT SPRING EXP - Silver	2
60	442-001	EXP ADJUSTMENT SPRING EXP - Silver	3
60	442-007A	EXP ADJUSTMENT SPRING EXP - 2LB (Steel)	2
Not Shown	442-007A	EXP ADJUSTMENT SPRING EXP - 2LB (Steel)	3
60.1	442-122A	PRESSURE PLATE SPRING - BMW A&S - .790OD, .1205WD, .9	4
63	460-670A	DRIVE PLATE - 0.040 - Yamaha R3	7
69	469-312A	FRICITION DISK - HD 500-750 Thin Friction	7
70	471-304B	BASKET SLEEVE - H1.45 - 4S	10

RMS-6307100A - RADIUSX CLUTCH (STREET)



Item	Part Number	Item Description	Qty
85	741-011B	EXP 3.0 WEDGE ASSEMBLY - H450 - Heavy	5