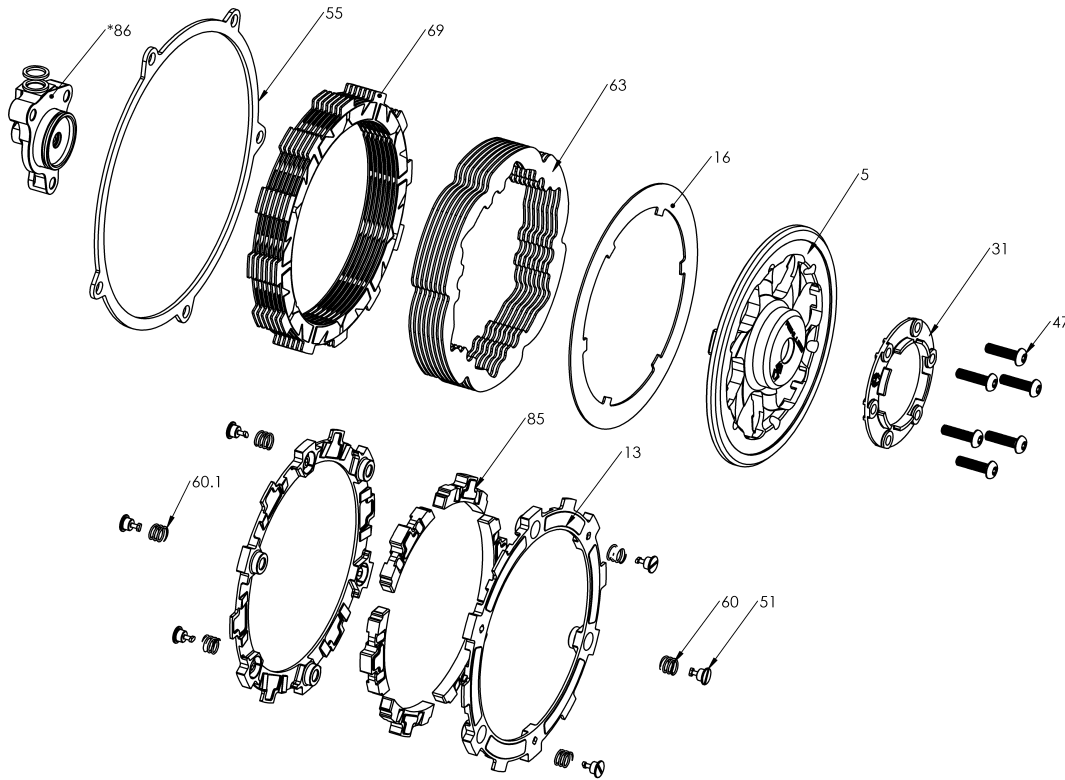


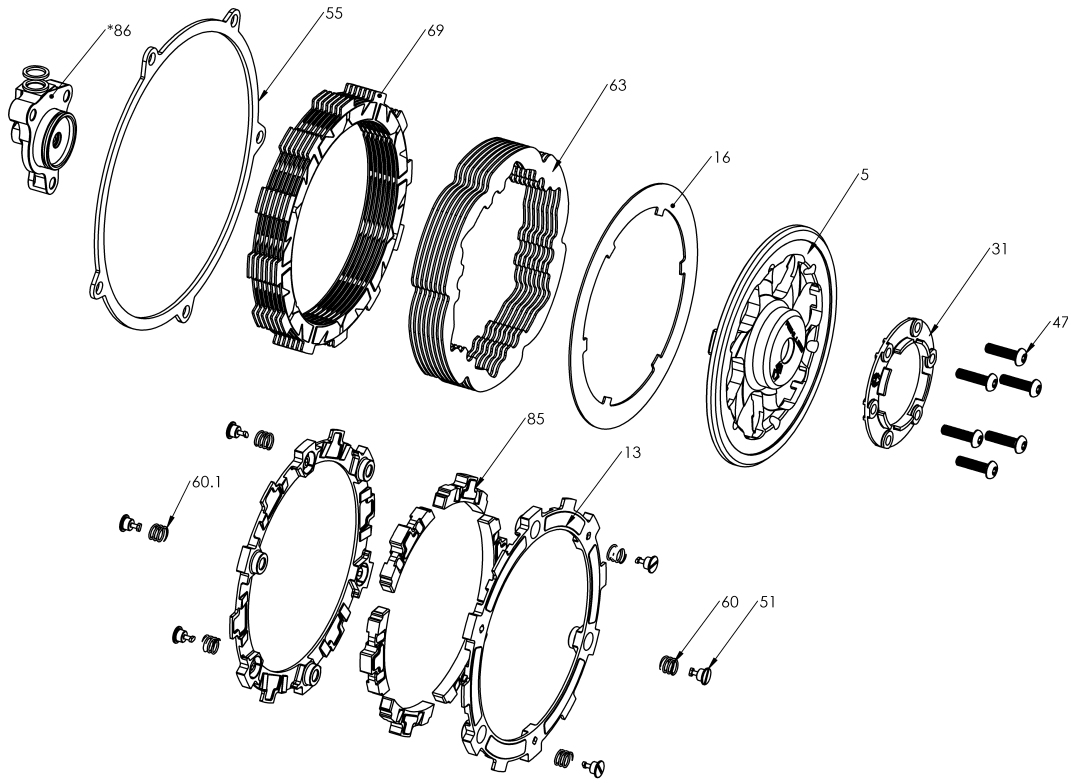
# RMS-6313080E - RADIUSX CLUTCH (DDS)



*\*SLAVE CYLINDER ASSEMBLY FICHE CAN BE VIEWED SEPARATELY.  
REBUILD KIT ALSO AVAILABLE SEPERATELY FROM REKLUSE.*

Item	Part Number	Item Description	Qty
5	113-023B	PRESSURE PLATE - EXP - KTM DDS 16+	1
13	140-215D	EXP 3.0 BASE - KT350	2
16	143-025A	RADIUS X LINING PLATE - KTM	1
31	184-015B	PRESSURE RING SPACER - Pressure Ring Spacer for KTM 12+	1
47	411-154A	FASTENER - M5 x 20 Button-Head T-25 Torx Screw 10.9	6
Not Shown	411-906	HARDWARE - T-25 Torx Bit	1
Not Shown	415-000	FASTENER - Quarter Turn Pin	2
51	415-000	FASTENER - Quarter Turn Pin	6
Not Shown	419-120	HARDWARE - 1 Orange Free Play Gain Rubber Band	1
55	420-082A	GASKET - KTM 450/500 EXC/XC-W (16+)	1
60	442-003	EXP ADJUSTMENT SPRING EXP - Blue	3
Not Shown	442-003	EXP ADJUSTMENT SPRING EXP - Blue	3
60.1	442-004	EXP ADJUSTMENT SPRING EXP - Gold	3
Not Shown	442-004	EXP ADJUSTMENT SPRING EXP - Gold	3
63	460-710A	DRIVE PLATE - 0.040 TEC 2 - KT 6-pin	8

# RMS-6313080E - RADIUSX CLUTCH (DDS)



*\*SLAVE CYLINDER ASSEMBLY FICHE CAN BE VIEWED SEPARATELY.  
REBUILD KIT ALSO AVAILABLE SEPERATELY FROM REKLUSE.*

Item	Part Number	Item Description	Qty
69	469-536A	FRICITION DISK - KT350 TORQ-DRIVE - 2-Segment Pads	7
85	741-015B	EXP 3.0 WEDGE ASSEMBLY - KT350 - Heavy	6
86	742-029B	ADJUSTABLE SLAVE ASSEMBLY - Housing 180-120, Piston 18	1
Not Shown	821-013A	Prop. 65 Warning Label	1