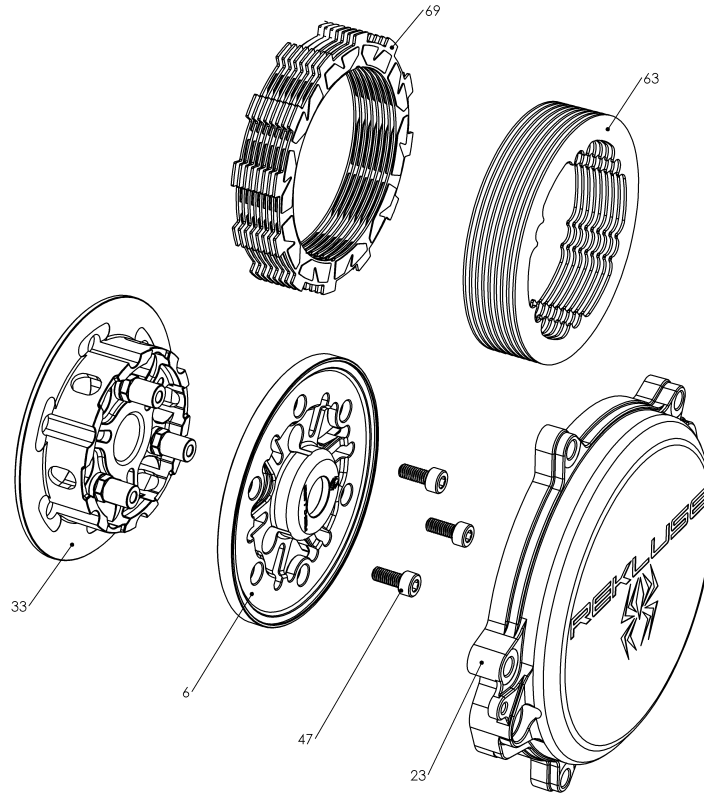


RMS-7113051A - CORE MANUAL TORQ-DRIVE CLUTCH



Item	Part Number	Item Description	Qty
6	114-151A	PRESSURE PLATE - Core Manual TorqDrive -KTM 85 SX (18+)	1
23	169-951A	CLUTCH COVER -KTM 85 SX (18+), HQV TC 85 (18+)	1
Not Shown	183-007A	HARDWARE - Core Center Clutch Tab Lock Washer 24mm S	1
47	411-186A	FASTENER - M5 x 0.8 x 12 Socket Head Screw - Zinc Plated -	3
63	460-751A	DRIVE PLATE - 0.040 18+ KTM 85 6-pin Core	9
69	469-351A	FRICITION DISK - 18+ KTM 85 TORQ-DRIVE - 2-Segment Pads	8
33	713-152A	CENTER CLUTCH ASSEMBLY - CMTD, KTM 85 SX (18+), HQV	1
Not Shown	821-013A	Prop. 65 Warning Label	1