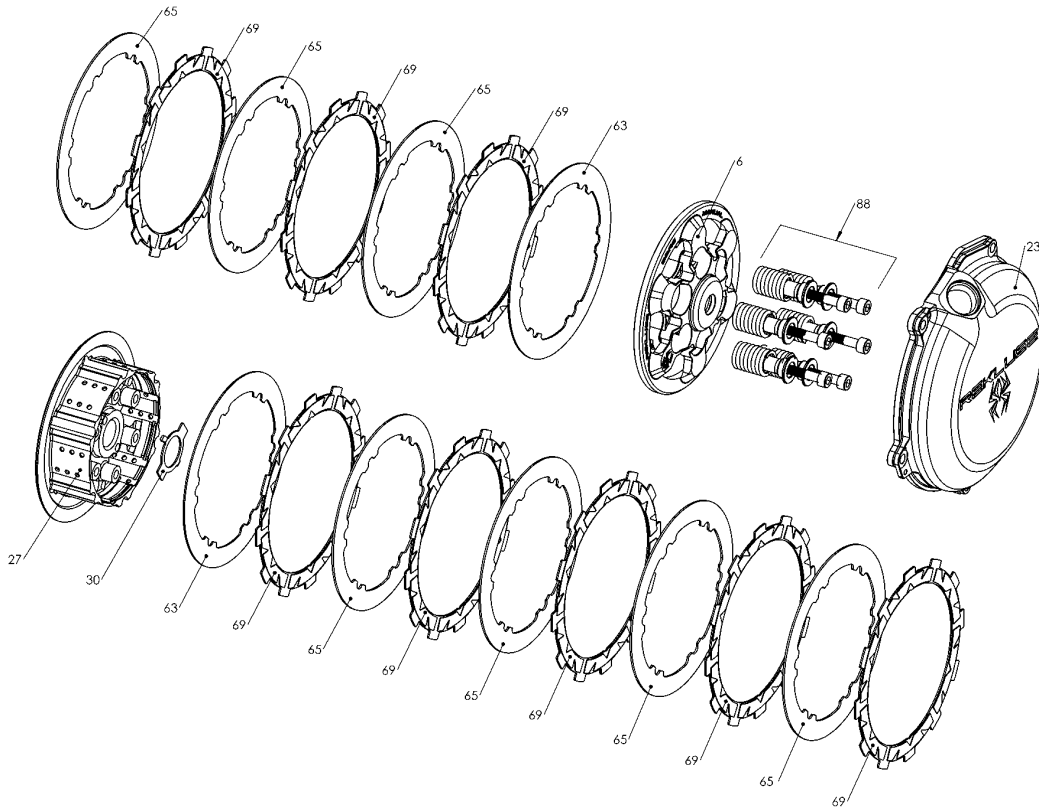


RMS-7113081A - CORE MANUAL TORQ-DRIVE CLUTCH



Item	Part Number	Item Description	Qty
6	114-024A	PRESSURE PLATE - Core Manual - KTM250F,350F CSS 16+	1
23	169-993A	CLUTCH COVER - KTM 250/350	1
27	178-038D	CENTER CLUTCH - CORE EXP/CORE MANUAL - KTM 250F,35	1
30	183-002	HARDWARE - Core Center Clutch Tab Lock Washer 27mm	1
63	460-604A	DRIVE PLATE - 0.040 Non-Slotted DDS,CSS 6-pin	2
65	462-604A	DRIVE PLATE - 0.048 DDS,CSS Std	7
69	469-336A	FRICITION DISK - KT350 TORQ-DRIVE - 2-Segment Pads	8
88	744-025A	CORE CLUTCH SPRING KIT - 250 350 - (6 Green)	1
31	184-101B	HARDWARE - EXP Screw Sleeve	6
47	411-140	FASTENER - M6-1 x 35mm Thermal Black Socket Cap Screw	6
60	442-112	PRESSURE PLATE SPRING - EXP - KTM - 200SX/XC - Green	6