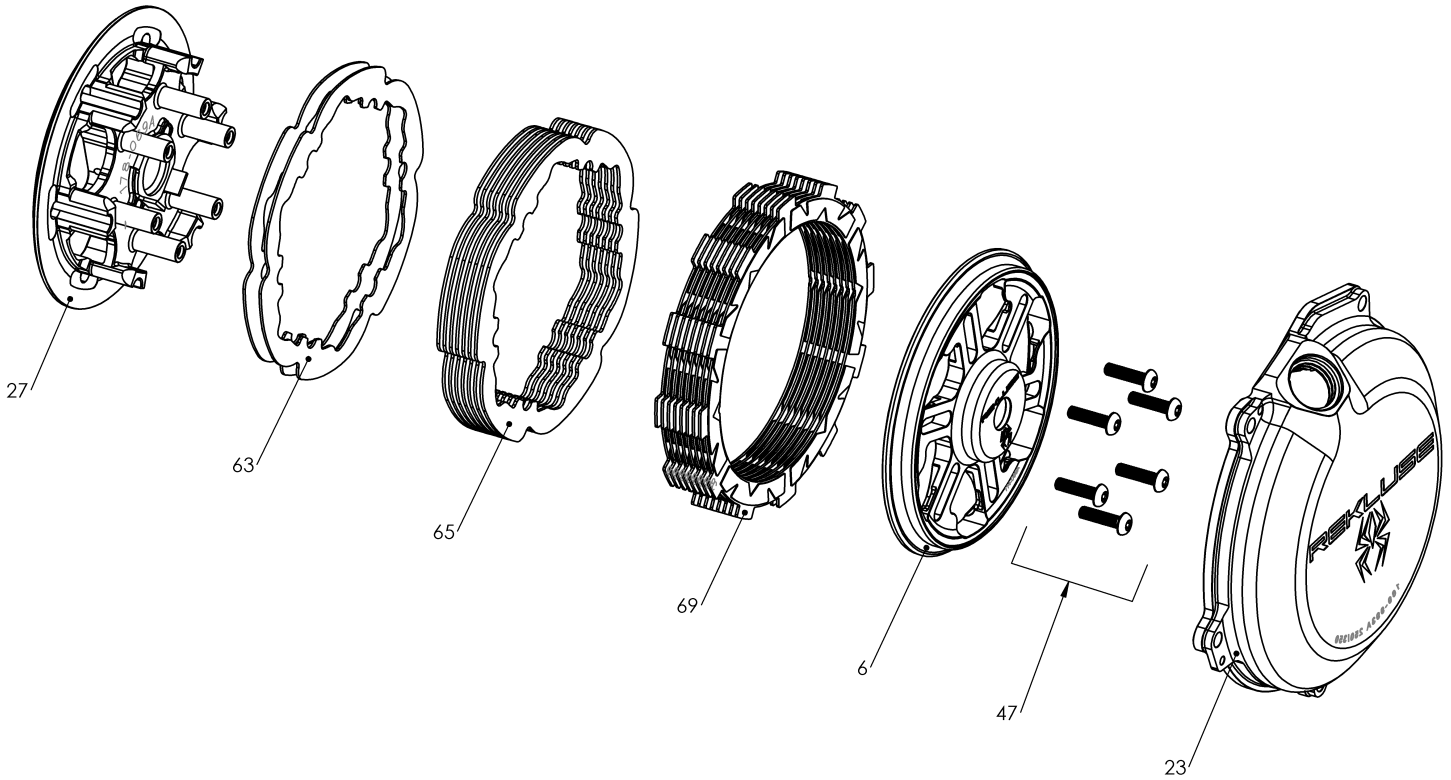


RMS-7113181A - CORE MANUAL TORQ-DRIVE CLUTCH



Item	Part Number	Item Description	Qty
6	114-069A	PRESSURE PLATE - CORE MANUAL - KTM 250F/350F DS	1
23	169-993A	CLUTCH COVER - KTM 250/350	1
27	178-069A	CENTER CLUTCH - CORE - KTM 250/350 DS	1
Not Shown	183-002	HARDWARE - Core Center Clutch Tab Lock Washer 27mm	1
47	411-154A	FASTENER - M5 x 20 Button-Head T-25 Torx Screw 10.9	6
Not Shown	411-906	HARDWARE - T-25 Torx Bit	1
63	460-710A	DRIVE PLATE - 0.040 TEC 2 - KT 6-pin	2
65	462-710A	DRIVE PLATE - 0.048 TEC 2 - KT 6-pin	7
69	469-336A	FRICITION DISK - KT350 TORQ-DRIVE - 2-Segment Pads	8