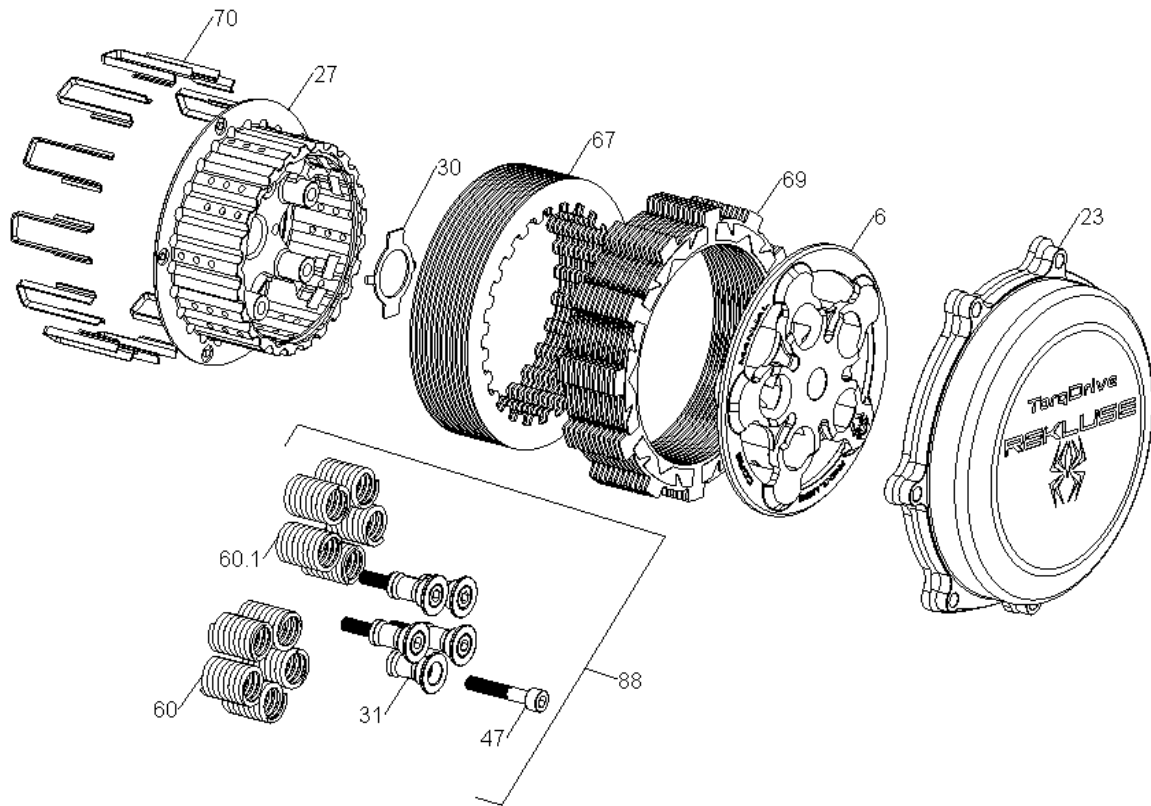


RMS-7140B - CORE MANUAL TORQ-DRIVE CLUTCH



Item	Part Number	Item Description	Qty
6	114-140A	PRESSURE PLATE - Torq Drive - KX250F	1
Not Shown	117-004	CENTER CLUTCH NUT - K250/Y250	1
23	169-740A	CLUTCH COVER - TorqDrive - KX250F (09+)	1
27	178-016E	CENTER CLUTCH - CORE EXP/CORE MANUAL - K250/S250	1
30	183-001A	HARDWARE - Core 450 Center Clutch Tab Lock Washer	1
67	465-409C	DRIVE PLATE - 0.040 Core KS250 Precision	12
69	469-305A	FRICITION DISK - K250 TORQ-DRIVE	12
70	471-300	BASKET SLEEVE - Dirt Bikes	12
88	744-006A	TORQ DRIVE SPRING KIT - 250	1
31	184-101B	HARDWARE - EXP Screw Sleeve	5
47	411-140	FASTENER - M6-1 x 35mm Thermal Black Socket Cap Screw	5
60	442-103	PRESSURE PLATE SPRING - 250 Class Bikes Medium Silver	5
60.1	442-104	PRESSURE PLATE SPRING - 250 Class Bikes Heavy Gold	5