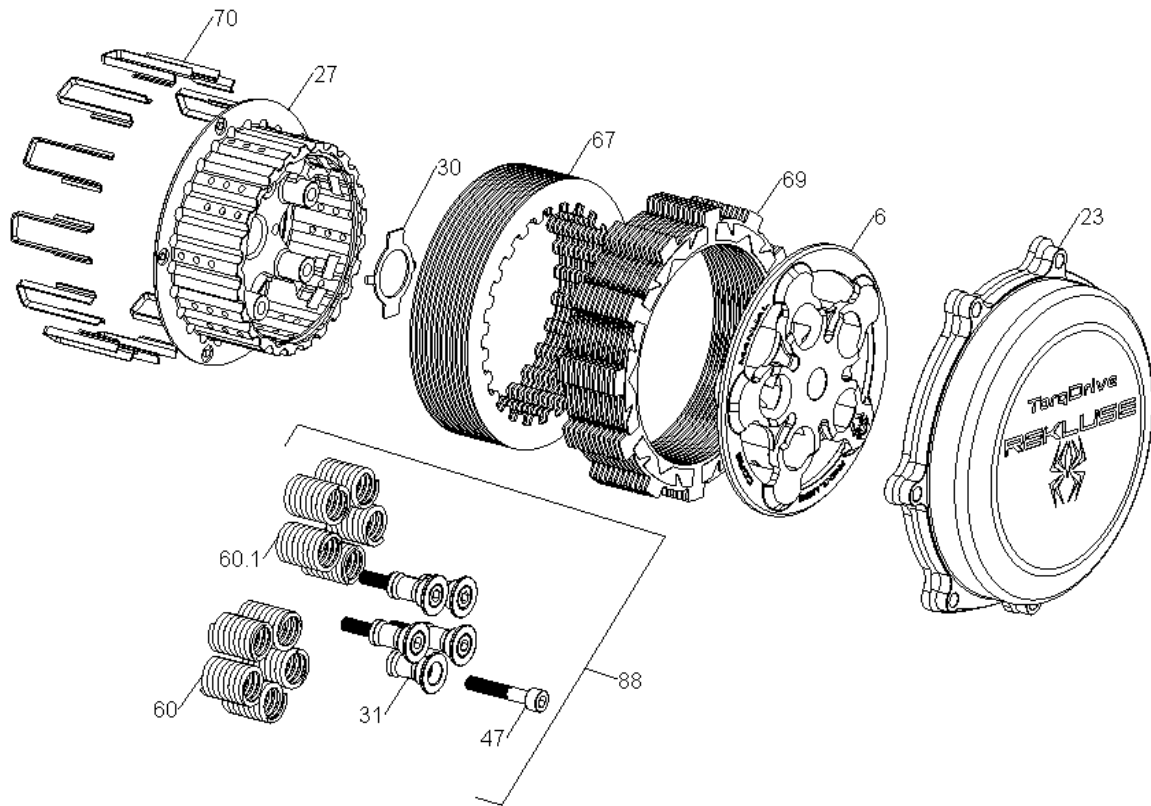


RMS-7167B - CORE MANUAL TORQ-DRIVE CLUTCH



| Item | Part Number | Item Description | Qty |
|------|-------------|-------------------------------------------------------|-----|
| 6 | 114-167B | PRESSURE PLATE - Torq Drive - S250 | 1 |
| 23 | 169-767B | CLUTCH COVER - TorqDrive - RMZ250 (07+) | 1 |
| 27 | 178-016E | CENTER CLUTCH - CORE EXP/CORE MANUAL - K250/S250 | 1 |
| 30 | 183-004A | HARDWARE - Core Center Clutch Tab Lock Washer 27mm S | 1 |
| 67 | 465-409C | DRIVE PLATE - 0.040 Core KS250 Precision | 12 |
| 69 | 469-305A | FRICTION DISK - K250 TORQ-DRIVE | 12 |
| 70 | 471-300 | BASKET SLEEVE - Dirt Bikes | 12 |
| 88 | 744-006A | TORQ DRIVE SPRING KIT - 250 | 1 |
| 31 | 184-101B | HARDWARE - EXP Screw Sleeve | 5 |
| 47 | 411-140 | FASTENER - M6-1 x 35mm Thermal Black Socket Cap Screw | 5 |
| 60 | 442-103 | PRESSURE PLATE SPRING - 250 Class Bikes Medium Silver | 5 |
| 60.1 | 442-104 | PRESSURE PLATE SPRING - 250 Class Bikes Heavy Gold | 5 |