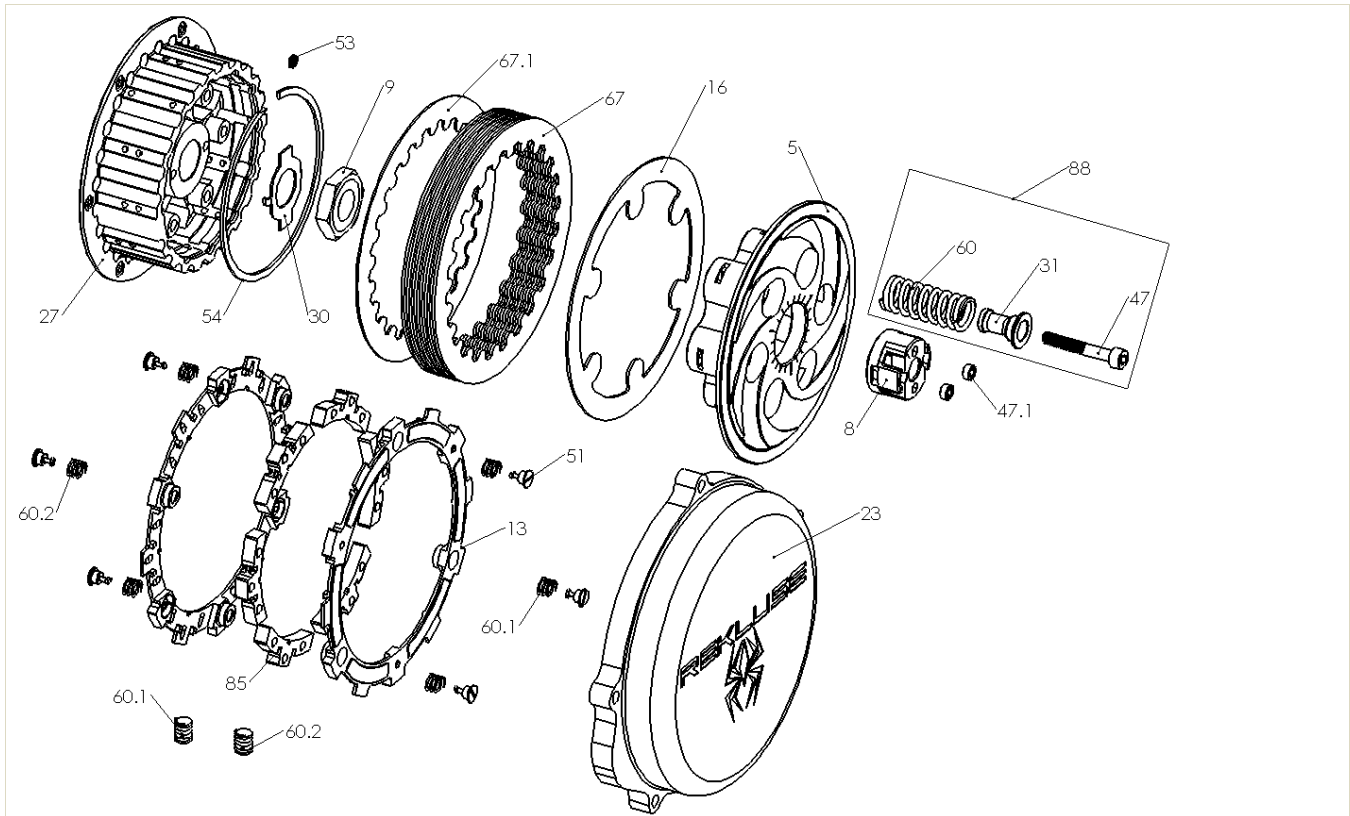


RMS-7711B

CORE EXP CLUTCH 2.0

Honda - CR250R (02-07)



Item	Part Number	Item Description	Qty	Assembled as EXP Friction Disk
Not Shown	418-300	HARDWARE - Clutch Cover O-Ring Cord - 22"	1	
	791-001	CUSTOMER DOCUMENT - Core EXP Owners Manual	1	
5	113-005	PRESSURE PLATE - EXP 2.0 - 450 Class	1	
8	116-713C	PRESSURE PLATE ADJUSTER - CORE EXP - CRF450R	1	
9	117-001	CENTER CLUTCH NUT - H450	1	
13	140-200A	EXP 2.0 BASE - H450	2	X
16	143-003	EXP 2.0 LINING PLATE - H450 KTM350	1	
23	169-911	CLUTCH COVER - CR250R (2-stk.)	1	
27	178-005A	CENTER CLUTCH - CORE EXP/CORE MANUAL - 02-'08 CRF450R	1	
30	183-001A	HARDWARE - Core 450 Center Clutch Tab Lock Washer	1	
47.1	411-136B	HARDWARE - Pipe Plug: 1/16 – 27 NPTF, 0.15" long, 4010 Annealed, face knurl	2	
51	415-000	FASTENER - Quarter Turn Pin	2	
51	415-000	FASTENER - Quarter Turn Pin	6	X

53	418-802	HARDWARE - Viton70 -006 X-Ring - Anti Squeal Boss Spring	6	
60.1	442-002	EXP ADJUSTMENT SPRING EXP - Medium (Red)	3	
60.1	442-002	EXP ADJUSTMENT SPRING EXP - Medium (Red)	3	X
60.2	442-003	EXP ADJUSTMENT SPRING EXP - Heavy (Blue)	3	
60.2	442-003	EXP ADJUSTMENT SPRING EXP - Heavy (Blue)	3	X
67	465-601A	DRIVE PLATE - 0.060" zSPCore RMS H450 Precision	7	
67.1	465-401A	DRIVE PLATE - 0.040" zSP/Core RMS H450 Precision	1	
85	741-002B	EXP 2.0 WEDGE ASSEMBLY - H450 - Medium	6	X
88	744-010	CORE CLUTCH SPRING KIT - 450 - Medium (Red)	1	
31	184-101A	HARDWARE - EXP Screw Sleeve	6	
47	411-135	FASTENER - M6 x 40mm Socket Head Cap Screw	6	
60	442-101	PRESSURE PLATE SPRING - 450 Class Bikes Medium Red (includes 250cc+ 2-strokes)	6	