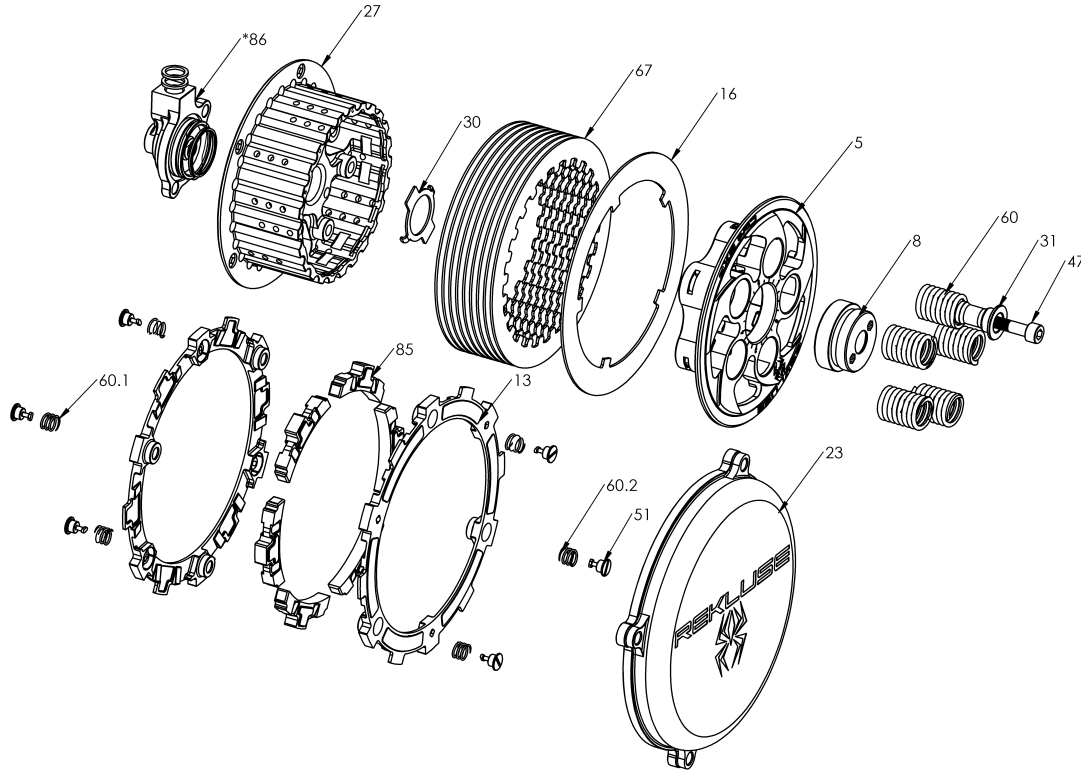
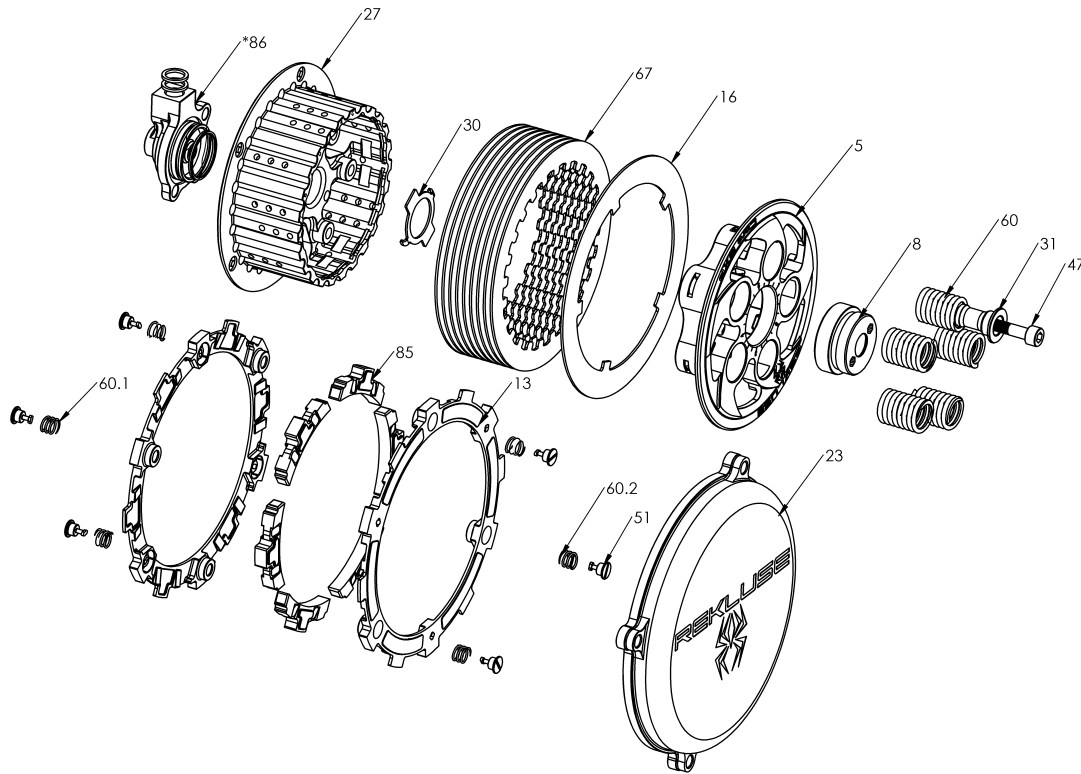


RMS-7724F - CORE EXP 3.0 CLUTCH



| Item | Part Number | Item Description | Qty |
|-----------|-------------|---|-----|
| 5 | 113-014A | PRESSURE PLATE - Core EXP 3.0 - 250 Class | 1 |
| 8 | 116-137 | Pressure Plate Plug - 7737, 7738 | 1 |
| 13 | 140-213C | EXP 3.0 BASE - H250 | 2 |
| 16 | 143-018A | LINING PLATE - 250 Class EXP 3.0 | 1 |
| 23 | 169-924B | CLUTCH COVER - SH250-SH300 | 1 |
| 27 | 178-024C | CENTER CLUTCH - CORE EXP/CORE MANUAL - SH250-SH300 | 1 |
| 30 | 183-002 | HARDWARE - Core Center Clutch Tab Lock Washer 27mm | 1 |
| Not Shown | 414-150A | HARDWARE - Throw Out Washer - 8mm ID x 21mm OD x 1m | 1 |
| Not Shown | 415-000 | FASTENER - Quarter Turn Pin | 2 |
| 51 | 415-000 | FASTENER - Quarter Turn Pin | 6 |
| Not Shown | 419-121 | HARDWARE - 0.5 Black Free Play Gain Rubber Band | 1 |
| 60.1 | 442-001 | EXP ADJUSTMENT SPRING EXP - Silver | 3 |
| Not Shown | 442-001 | EXP ADJUSTMENT SPRING EXP - Silver | 3 |
| 60.2 | 442-002 | EXP ADJUSTMENT SPRING EXP - Red | 3 |
| Not Shown | 442-002 | EXP ADJUSTMENT SPRING EXP - Red | 3 |

RMS-7724F - CORE EXP 3.0 CLUTCH



| Item | Part Number | Item Description | Qty |
|-----------|-------------|--|-----|
| 67 | 465-480B | DRIVE PLATE - 0.048 Core H250 Precision | 9 |
| 85 | 741-013B | EXP 3.0 WEDGE ASSEMBLY - H250 - Heavy | 6 |
| 86 | 742-012E | ADJUSTABLE SLAVE CYLINDER ASSEMBLY - SH250/300 180-1 | 1 |
| 88 | 744-070 | CORE CLUTCH SPRING KIT - 250 - Super Heavy (5 Red) | 1 |
| 31 | 184-101B | HARDWARE - EXP Screw Sleeve | 5 |
| 47 | 411-140 | FASTENER - M6-1 x 35mm Thermal Black Socket Cap Screw | 5 |
| 60 | 442-101 | PRESSURE PLATE SPRING - 450 Class Bikes Medium Red (incl | 5 |
| Not Shown | 821-013A | Prop. 65 Warning Label | 1 |